

KombiSIGN 70 / Audible Devices 844
Siren element 7 tne 24VDC BK



Part No.:	844.126.95
Series:	KombiSIGN 70



MECHANICAL DATA

Height	72 mm
Diameter	70 mm
Materials	PC
Housing colour	Black
Protection category	IP54
Working temperature minimum	-20°C
Working temperature maximum	+50°C
Weight with packaging	116 g
Product weight	99 g

ELECTRICAL DATA

Operating voltage	24V
Operating voltage type	DC
Operating voltage tolerance	+/- 10%
Rated operational voltage	24 VDC
Rated operational current	100 mA
Rated inrush current	500 mA
Protection class	Protection class 2
Pollution degree	3

ACUSTICAL DATA

Acoustic service life	5,000 h minimum
-----------------------	-----------------

APPROVAL DATA

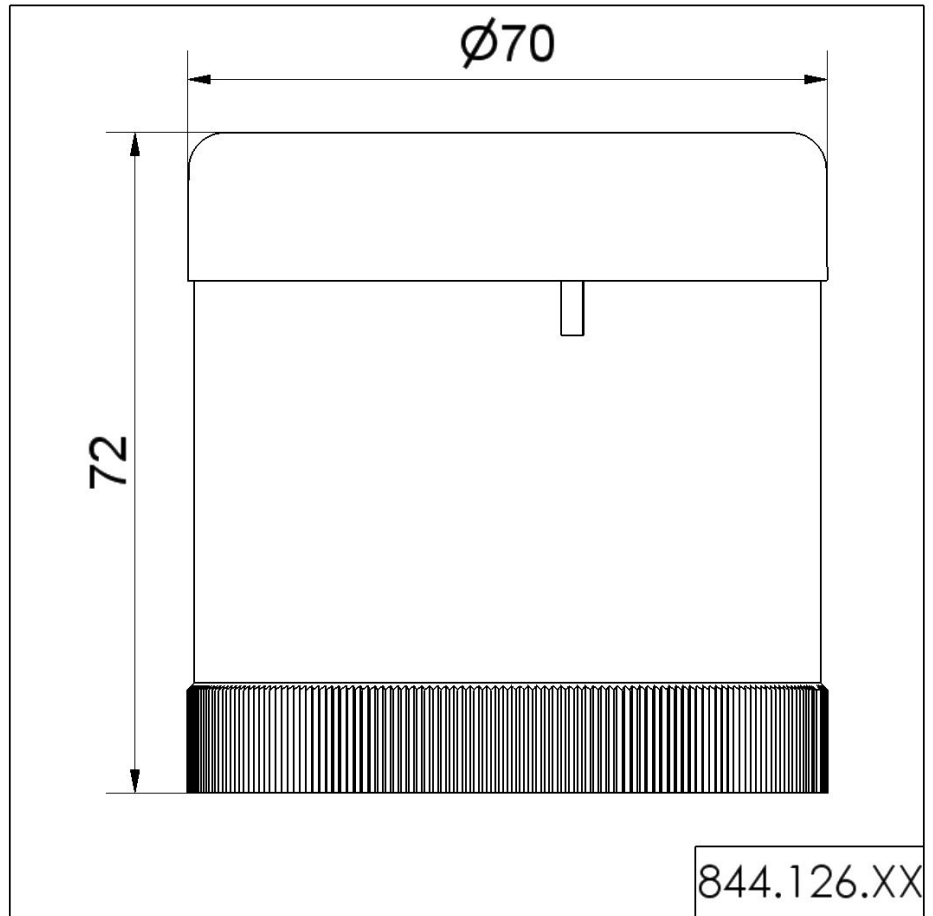
Conforms with CE	Yes
WEEE	Yes
Conforms with RED directive	No
Conforms with ATEX-directive	No
Conforms with CCC	No
Conforms with UL	cULus
UL Type Rating	Type 12
Conforms with FCC	No
Conforms with IC	No
EAC certificate available	Yes
Conforms with UKCA (Importer)	Yes (WERMA (UK) Ltd.)
Conforms with CMIM	No
Conforms with AS-I	No
ICAO Certification	No
Conforms with DNV	No

! For additional installation and mounting information, refer to the appropriate user guide at www.werma.com. This printed copy is for information only and is subject to alteration.

KombiSIGN 70 / Audible Devices 844
Siren element 7 tne 24VDC BK

Conforms with RoHS CN	No
Conforms with VdS	No

DRAWING



! For additional installation and mounting information, refer to the appropriate user guide at www.werma.com. This printed copy is for information only and is subject to alteration.